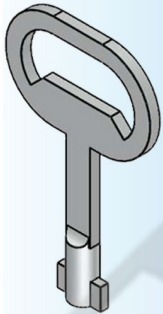


For Product Step File or 3D Model Send a Request Mail To info@nrack.com

Photo View



3D Rendered View



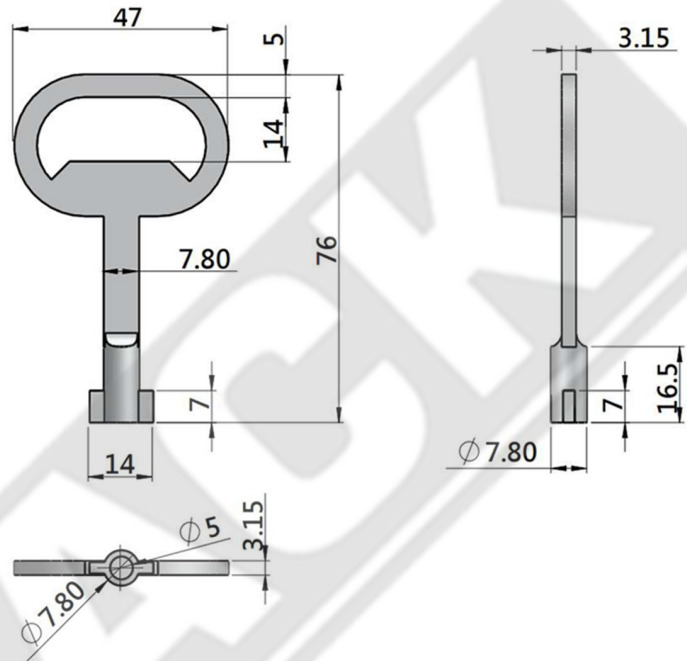
PL - 18



PL - 18 (Small)

- Material: Zinc Die Casting
- Finish: Chrome Plating.

PL - 18



PL - 18 (Small)

